

Ex CONTROL SWITCH

LJB1S



Zone 1,2,21,22

SPECIFICATION

TYPE : LJB1S

Material : Copper free Aluminum

Marking: Ex II 2 GD

Application: Ex d IIC

Color: RAL7032

Ingress Protection : IP66

Temperature class: T6

Ambient Temperature : -30°C to +55°C

Earthing: M5 External/Internal earth stud

Rate current : Max. 20 A

Rate voltage : Max. 600 V AC

Entries:

1xM20 drilling , all sides of the switch are available for drilling (On Request)

Enclosure Mounting :

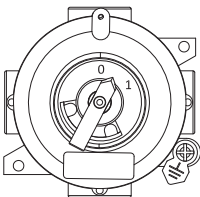
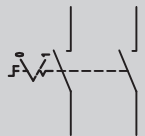
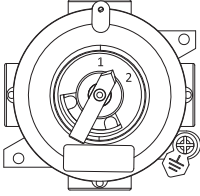
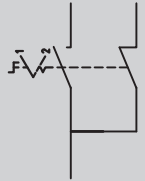
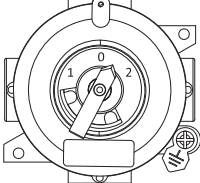
2*Slotted Fixing Brackets For M6 Screws.

TABLE 1

Dimensions(mm)			
	LENGTH	WIDTH	HEIGHT
EXTERNAL	108	108	90

Fixing Brackets :94 Horizontal , 68 VERTICAL

TABLE 2

	Type No.	Type Code	Electrical Symbol	
	TYPE 1	LJB1S-2NO-2P		
	TYPE 2	LJB1S-1NO-2P/NC-2P		
	TYPE 3	LJB1S-2NO-3P	