



ALJE

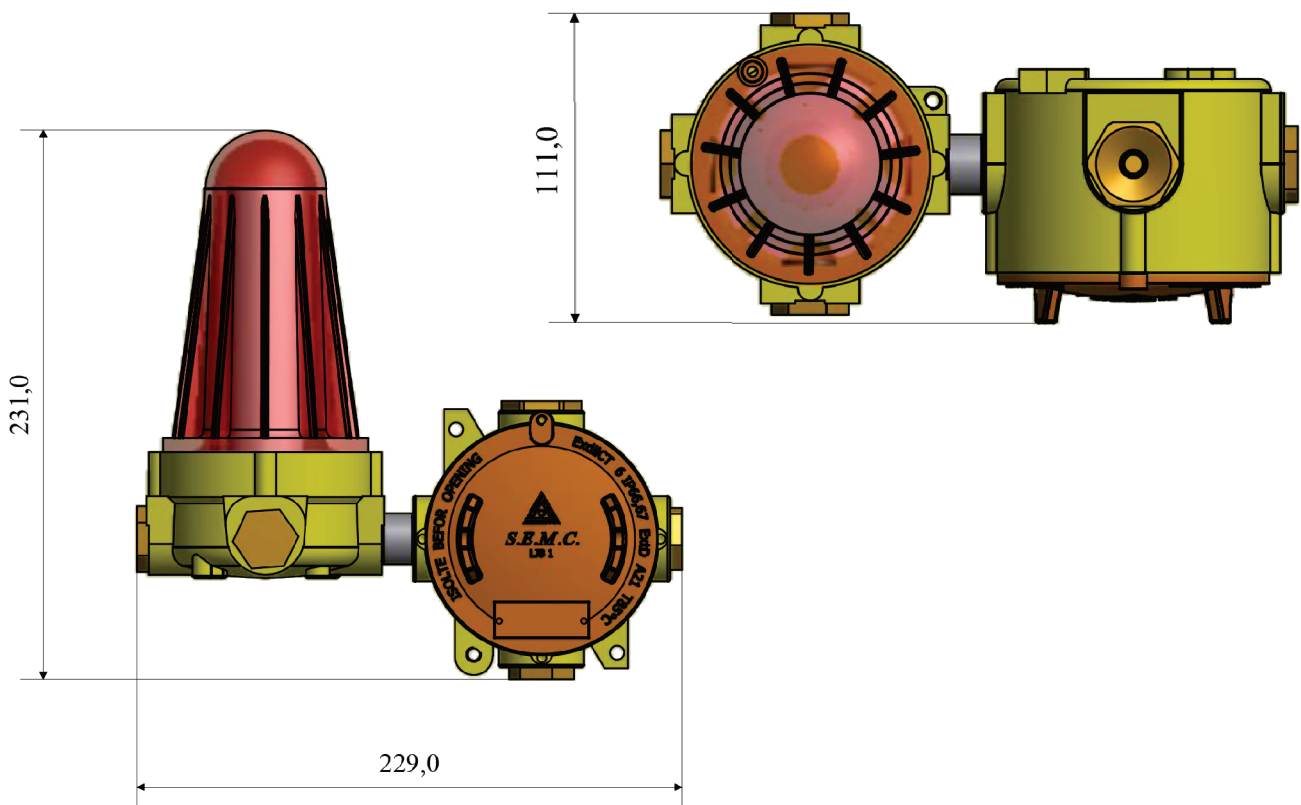
Aircraft series



Zone 1,2,21,22

TECHNICAL DATA

TYPE	L	
Marking	⊕ II 2 G D	
Type of protection	Ex d II C T6	
Enclosure material	Copper free Aluminum	
Transparent cover	Polycarbonate	
Enclosure thickness	5mm	
Degree of protection to EN 60529	IP 66	
Permissible ambient temperature	-30°C to +55°C / -20°C to +40°C	
Input power	<10W	
Lamp	LED board	
Rated voltage	12V/24V-AC/DC	
Color	■ RED	
Enclosure color	Body: RAL1028	Lid: RAL 2004
Construction	Single	



All information may be revised or changed by SHOMAL at anytime without prior notice or explanation.