

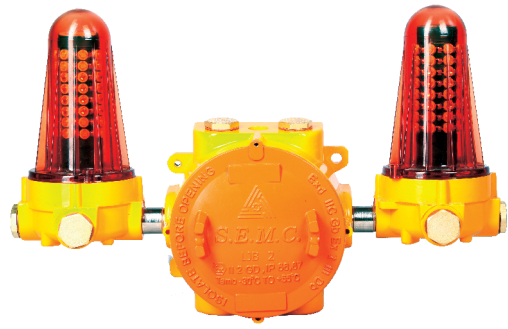
ALJM

Aircraft Warning Light

Medium intensity

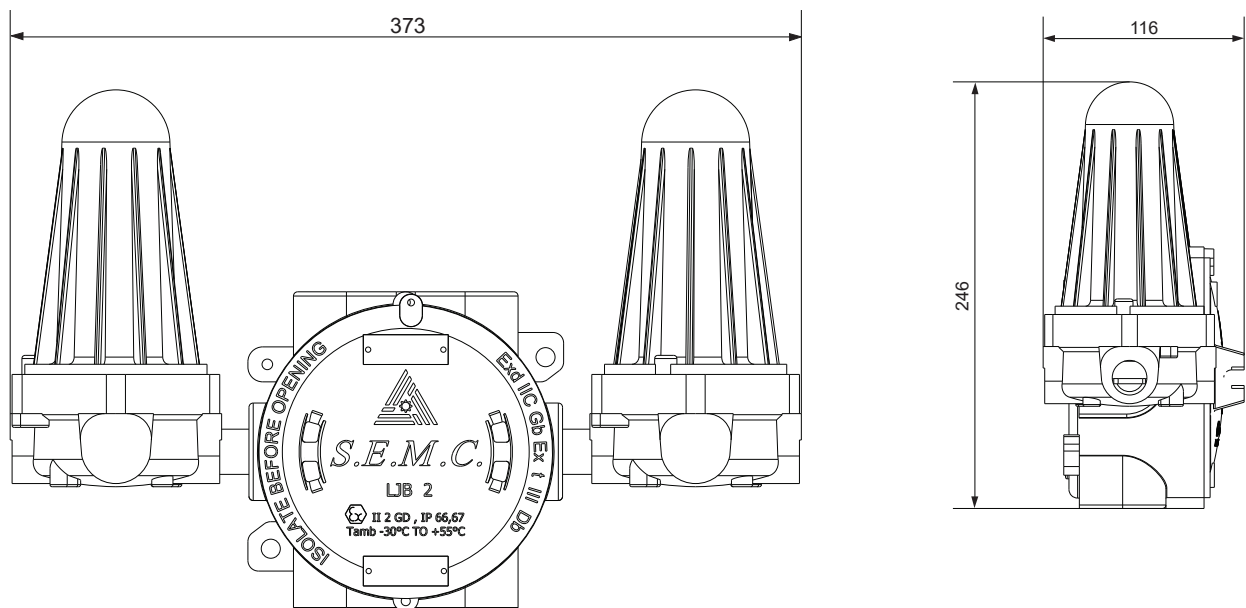


Zone 1,2,21,22



TECHNICAL DATA

TYPE	MIOL (Medium intensity aircraft warning fixture)	
Marking	⊕ II 2 G D	
Type of protection	Ex d II C T6	
Enclosure material	Copper free Aluminum	
Transparent cover	Polycarbonate	
Enclosure thickness	5mm	
Degree of protection to EN 60529	IP66	
Permissible ambient temperature	-30°C to +55°C / -20°C to +40°C	
Rated voltage	180~260 V AC - 12/24/48 VAC/DC	
Frequency	50 / 60 Hz	
Luminous intensity	Flashing (2 x 150cd) 40~60/min	
Color	Red bulb	
Enclosure Color	Body : RAL1028 , Lid : RAL2004	
Input power	<10 W	
Beam radiation	360°	
Entries	Top: 2 x M20 Bottom :1x M20	Other thread forms available on request
Construction	Double (Not Reserve)	



All information may be revised or changed by SHOMAL at anytime without prior notice or explanation.