

JUNCTION BOX

EJB I



Zone 1,2,21,22



SPECIFICATION

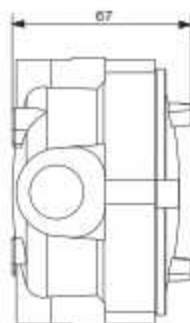
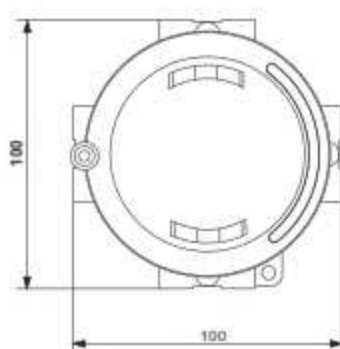
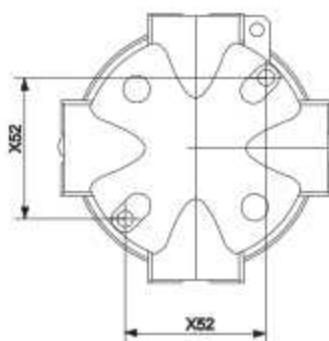
TYPE	EJB I
Application	As a terminal or fuse switch enclosure
Protection	Ex d IIB T3 & Industrial
Size	See the dimensions table below
Material	Cast Aluminum Alloy
Finish	As die cast or painted to suit customer application
Standards	BS EN 50014 , BS EN 50018 , IEC 60079-0 , IEC 60079-1
Ingress Protection	IP 65, by captive rubber "O" ring
Temperature Class	T3
Entries	Standard : M20 to BS 3643 pt2 1.5 mm pitch Alternative 1: 1/2 " , 3/4 " NPT Thread to USAS B2.1. Alternative 2: 1 / 2 " , 3/4 " Imperial Thread to BS 31 Alternative 3: 13.5 PG, 16PG and 19PG to DIN 40430
Earthing	M5 Internal / External Earth Studs
Enclosure Mounting	Fixing Bracket, 2 x M6 x 6screws

DIMENSIONS (mm)

	LENGTH	WIDTH	HEIGHT
INTERNAL	Ø133	-	53
EXTERNAL	100	100	67
Fixing Hole Centers	X 52 ± 1	X 52 ± 1	-

TERMINAL CAPACITY

Terminal Size	Max. Physical No. Of Terminals
SAKD 2.5 (N)	7



All information may be revised or changed by SHOMAL at anytime without prior notice or explanation.