

JUNCTION BOX

EJB 10
Flameproof



Zone 1,2,21,22



SPECIFICATION

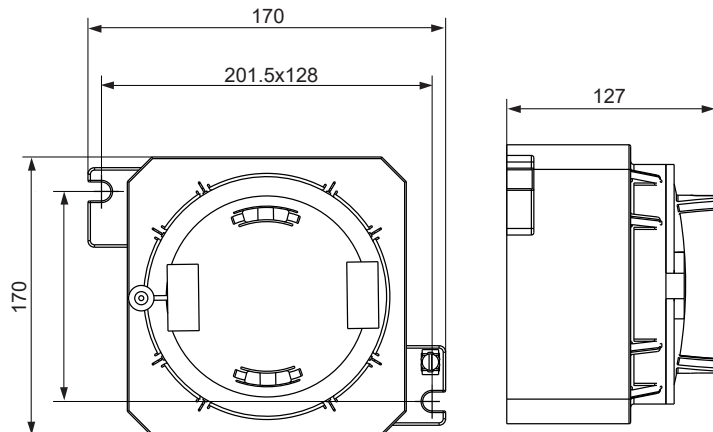
TYPE	EJB10
Application	Flame proof Ex d enclosure
Protection	Ex d IIC T6/T5/T4 Gb, Ex t IIIC T85°C /T100°C/T135°C Db
Marking(ATEX)	⊕ II 2 G D
Ingress Protection to IEC 60529	IP 66 / 67
Temperature Class/Power dissipation	T6/T5/T4 (see table 1)
Certificate No.	TÜV 11 ATEX 7151X, IECEx TUR 11.0017X
Standards	IEC 60079-0 , IEC 60079-1 , IEC 61241-1 , IEC-60529
Material	Copper free Aluminum
Finish	As Aluminum or Electrostatic paint to suit customer Application
Ambient temperature	-30°C to +55°C , -20°C to +40°C
Lid Fixing	Threaded type
Earthing	M5 External / M8 internal earth stud
Enclosure Mounting	2 slotted fixing holes for (M8) screws

Table 1- Maximum Permitted dissipation power

Type of Enclosure	Tamb (-20°C to + 40°C)			Tamb (-30°C to + 55°C)			Max. Rated Current	Max. Rated Voltage
	T4, T135 °C	T5, T105 °C	T6, T85 °C	T4, T135 °C	T5, T105 °C	T6, T85 °C		
EJB 10	111W	60W	38W	87W	38W	15W	60A	690V

Table 2- Maximum number of entries per side
Other thread forms/ combination available on request

Type	M20 / M16	M25	M32	M40	M50
EJB 10	4	3	2	-	-



Dimensions (mm)

	LENGTH	WIDTH	HEIGHT
EXTERNAL DIM	170	170	127
INTERNAL DIM	139	139	87.5
Fixing Brackets : 201.5x128			

All information may be revised or changed by SHOMAL at anytime without prior notice or explanation.