

*Shomal Engineering & Manufacturing Co.*

# “MANUAL INSTRUCTION”

PANEL SERIES



# “Table of contents”

1. Introduction
2. Product description
3. Product dimension and installation
  - 3.1. Racks
  - 3.2. Enclosures dimension
4. Use and servise
  - 4.1. Selector position
  - 4.2. Fasteners
  - 4.3. Edge of surface
5. Safety performance standards

# 1. Introduction

- Purpose of this documentation

This manual is a brief summary of important features, functions, and contains all information required for safe use of this product. It is your responsibility to read the instruction carefully prior to assembly and start up.

To guarantee correct handling, you should become acquainted with the principle of operation of the types of panels.

The manual is provided for person who mechanically assembles, correct it electrically, and start it up.

- Notes of warranty

This product is supplied with a warranty against significant deviations in material and workmanship for a period of two years from date of purchase whereas probe with a six months warranty.

If repair or adjustment is necessary and has not been the result of abuse or misuse within the designated period, correction will be made without charged.

Out of warranty products will be repaired on a charged basis.

The warranty on your instrument shall not apply to defects resulting from:

- Improper or inadequate maintenance by customer
- Unauthorized modification or misuse
- Operation outside of the environment specification of the products

# 2. Product description

The features in the design are in accordance with IEC EX.  
Explosion proof level: Exd IIB T rating

Type	Ie max	T6	T5	T4	Weight
EJB110	160A	125W	170W	295W	22.0 Kg
EJB120	300A	150W	270W	480W	28.5 Kg
EJB240	800A	250W	400W	700W	52.3 Kg
EJB241	850A	250W	400W	700W	56.8 Kg

Rated Voltage: Up to 690 AC

Rated Current: Up to 1200A

Ambient Temperature: -20°C to +55 °C

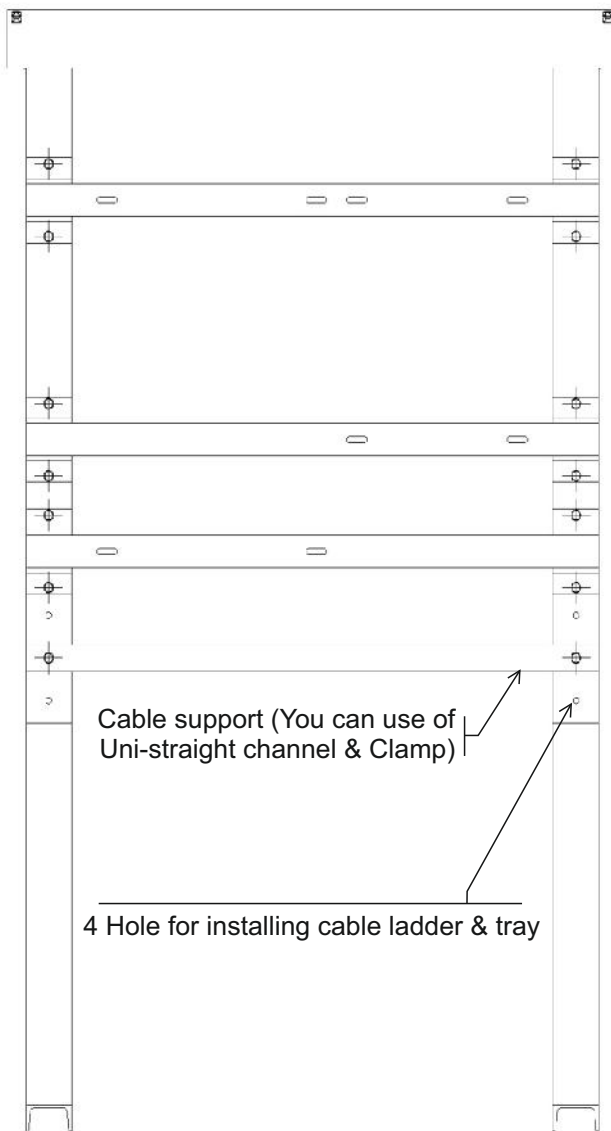
Terminal Cross section: Up to 240mm

Degree of protection: IP65 according to IEC 259

Construction: Cast Aluminum

# 3. Product dimension & Installation

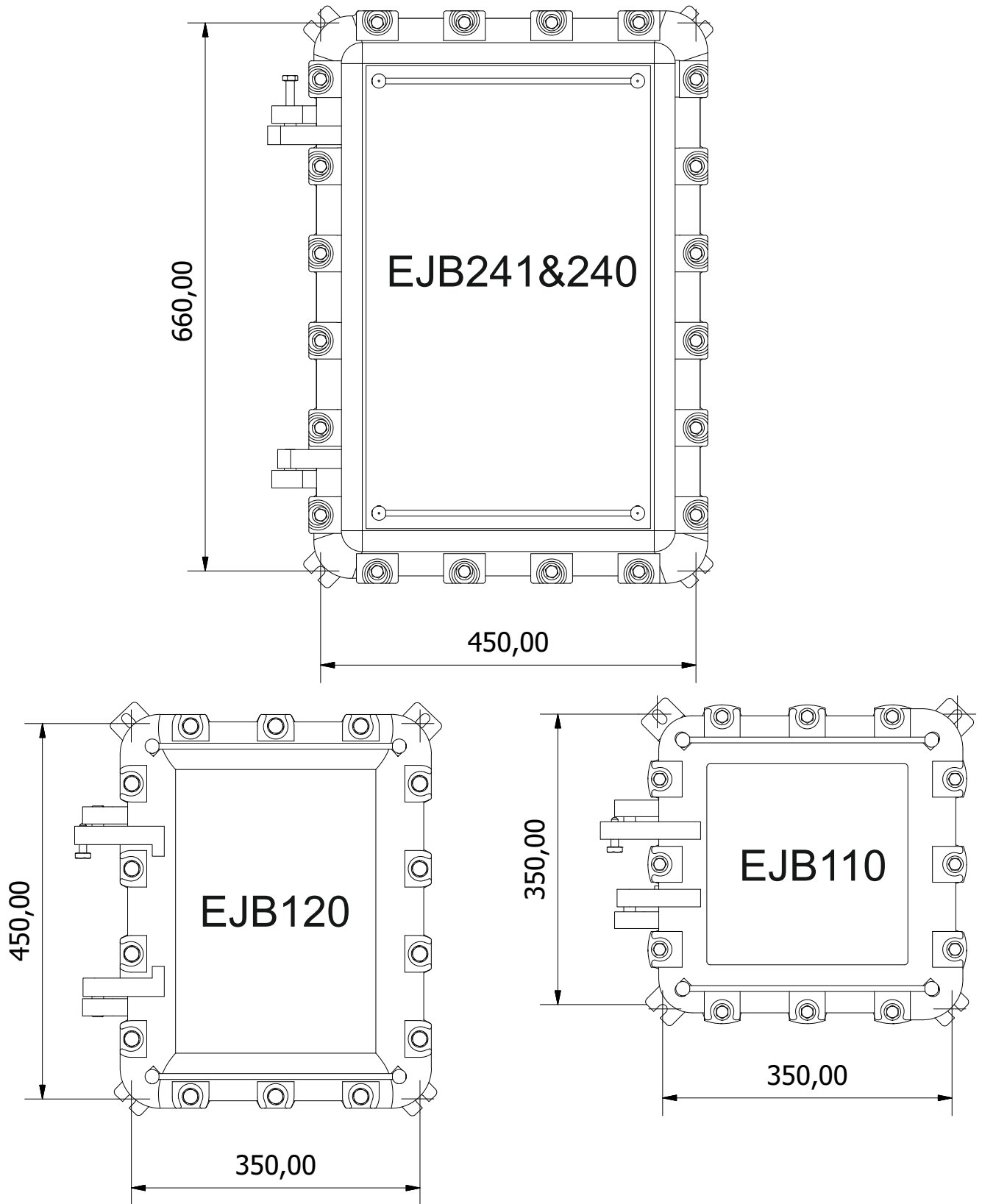
## 3-1 Racks



The material of the Racks is hot dipped galvanize or stainless steel as customer needs.

# 3. Product dimension & Installation

## 3-2 Enclosures dimension





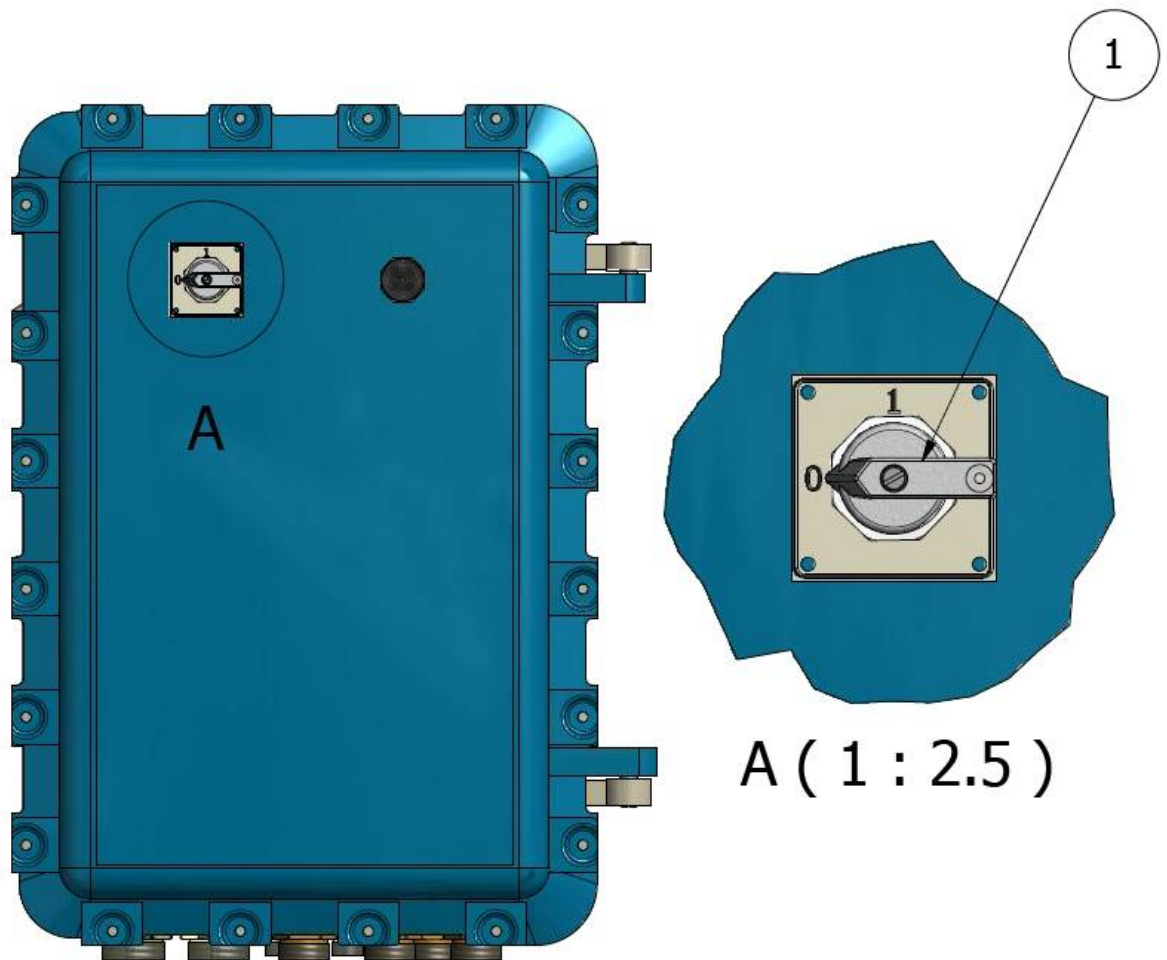
# 4. Use and service

Before closing the door  
4-1 selector position



because it will be installed in hazard area, upstream feeder shall be in off position before opening the door.

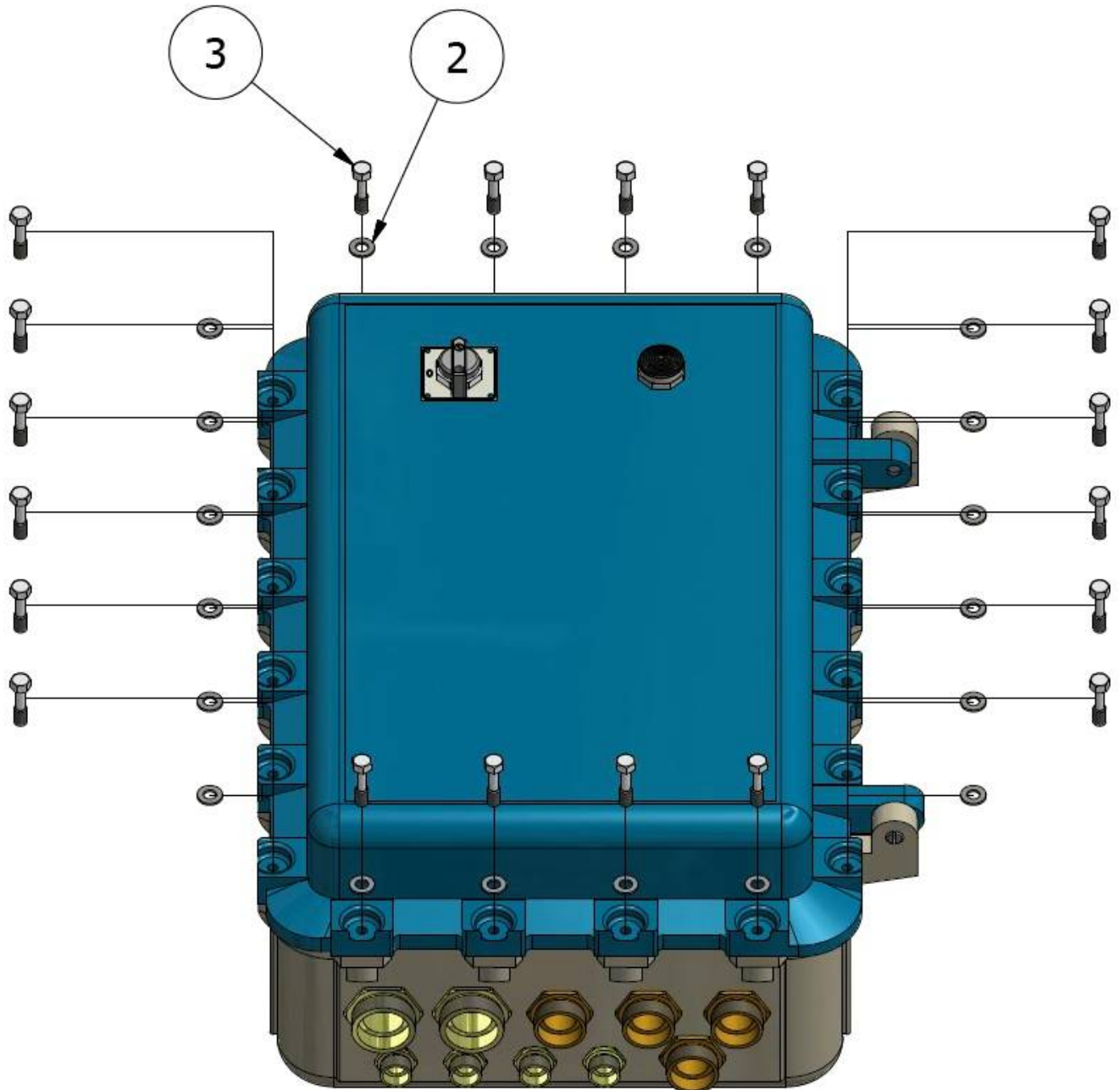
1-All selectors and all switches shall be place in , 0 (Off) position, then close the door.



# 4. Use and service

## 4-2 Washers & Screws

- 2- Do not forget to put the washers behind all the screws.
- 3- Note : All the screws has to be fasten by 30 N/M.

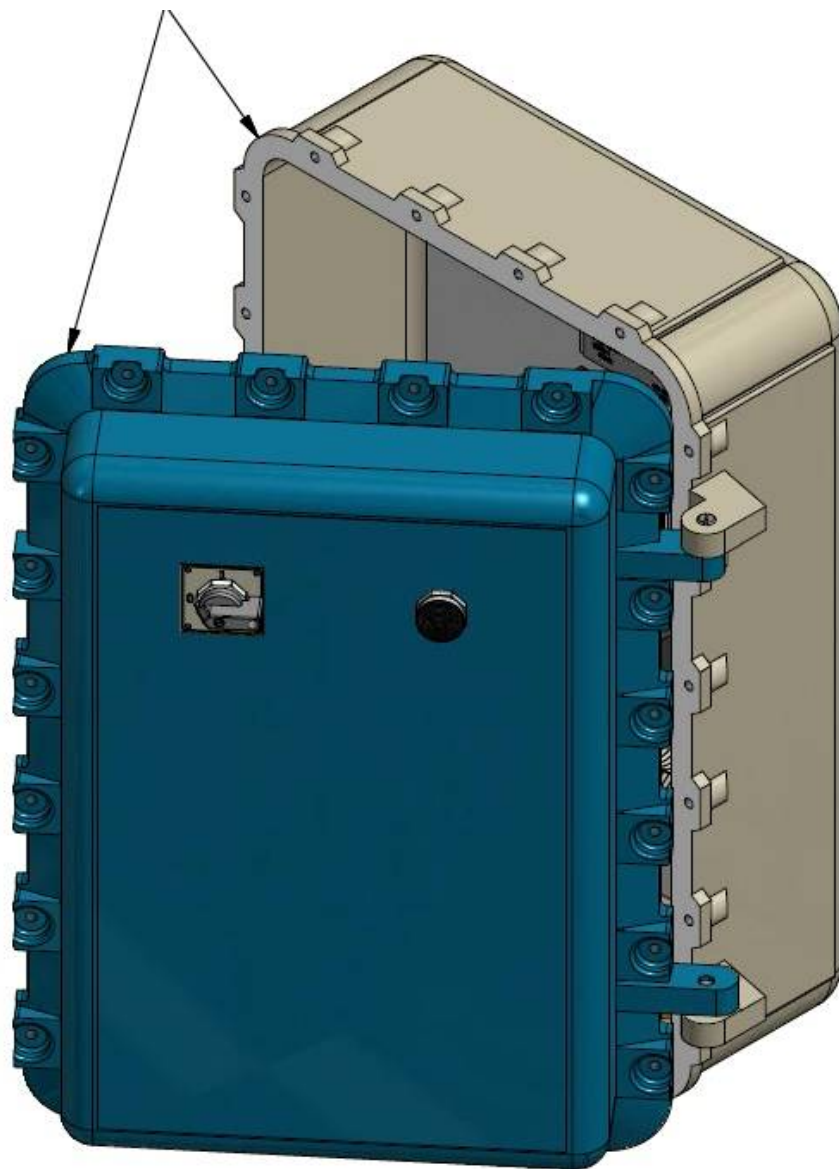




# 4. Use and service

## 4-3 Edge of surface

Take extreme care in not damaging the coupling joints. The flange joints of enclosure should be cleaned with a soft cloth and apply graphite grease after every opening.



# 5. Safety performance standards



Do not use sharp or pointed instruments as a scraper.  
Damage to the enclosure color may occur.

Do not use any type of abrasive such as steel wool, or fluids such as gasoline, naphtha or paint Thinner that could be harmful to plastic materials, door gasket or painted surface.

Do not apply power to the unit until installation is completed and cover is secured.