



JUNCTION BOX

EJB II



Zone 1,2,21,22

SPECIFICATION

TYPE	EJB II
Application	As a terminal or fuse switch enclosure
Protection	Ex d IIB T6 & Industrial
Size	See the dimensions table below
Material	Cast aluminum alloy
Standards	BS EN 50014 BS EN 50018 , IEC 60079-0 , IEC 60079-1
Finish	As cast or painted to suit customer application
Ingress Protection	IP 65, by captive rubber "O" ring
Temperature range	T6
Entries	See the entires table below
Cover	Threaded
Earthing	M6 Internal / External Earth Screw
Enclosure Mounting	4 mounting holes , Ø 6.5mm

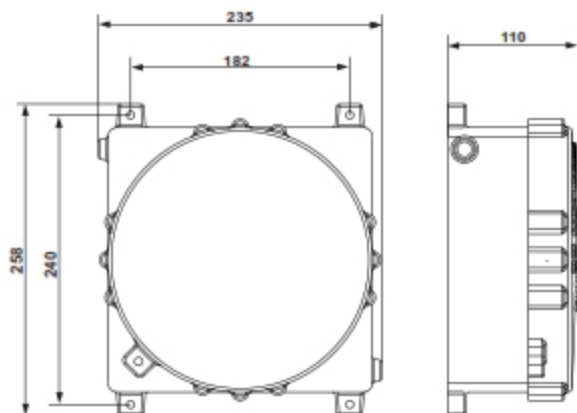
DIMENSIONS (mm)

	LENGTH	WIDTH	HEIGHT
INTERNAL	240	182	87
EXTERNAL	258	235	110
Fixing Hole Centers	X 239±1	X 181±1	

TERMINAL CAPACITY

Terminal Size	Max. Physical No. Of Terminal
RTP 2.5	25
RTP 4	23
RTP 6	18
RTP 10	14
RTP 16	12
RTP 25	10
RTP 35	9

*RTP is atrade Mark and type of RAAD terminals



ENTRIES

Entry Size	Top	Bottom	Left	Right
M20 (O)	6	6	6	6
M20 (A)	5	5	5	5
M25 (B)	4	4	4	4
M32 (C)	3	3	3	3