



JUNCTION BOX

EJB 20

Flameproof



Zone 1,2,21,22

SPECIFICATION

TYPE	EJB20
Application	Flame proof Ex d enclosure
Protection	Ex d IIC T6/T5/T4 Gb, Ex t IIIC T85°C /T100°C/T135°C Db
Marking(ATEX)	Ex II 2 G D
Ingress Protection to IEC 60259	IP 66 / 67
Temperature Class/Power dissipation	T6/T5/T4 (see table 1)
Certificate No.	TÜV 11 ATEX 7151X, IECEx TUR 11.0017X
Standards	IEC 60079-0 , IEC 60079-1 , IEC 61241-1 , IEC-60529
Material	Copper free Aluminum
Finish	As Aluminum or Electrostatic paint to suit customer Application
Ambient temperature	-30°C to +55°C, -20°C to + 40°C
Lid Fixing	Threaded type
Earthing	M6 External / M8 internal earth stud
Enclosure Mounting :	2 Slotted fixing holes for (M8) screws

Table 1- Maximum Permitted dissipation power

Type of Enclosure	Tamb (-20°C to + 40°C)			Tamb (-30°C to + 55°C)			Max. Rated Current	Max. Rated Voltage
	T4, T135°C	T5, T105°C	T6, T85°C	T4, T135°C	T5, T105°C	T6, T85°C		
EJB 20	232W	127W	81W	188W	81W	46W	150A	690V

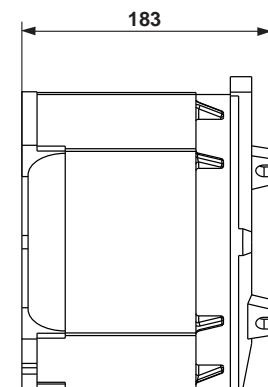
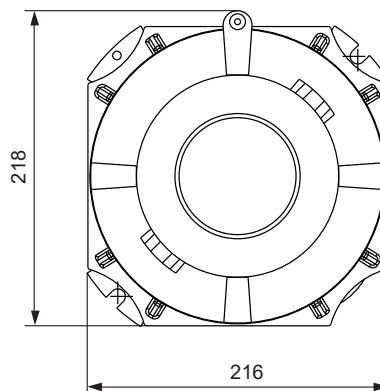
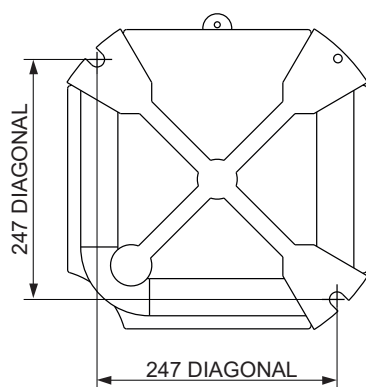
Table 2- Maximum number of entries per side
Other thread forms/ combination available on request

Type	M20 / M16	M25	M32	M40	M50	M63	M75
EJB 20	9	4	2	2	1	-	-

Dimensions (mm)

	LENGTH	WIDTH	HEIGHT
EXTERNAL DIM	218	216	183
INTERNAL DIM	177	177	136

Fixing Brackets : 247 DIAGONAL



All information may be revised or changed by SHOMAL at anytime without prior notice or explanation.