

JUNCTION BOX

EJB 30

Flameproof



Zone 1,2,21,22



SPECIFICATION

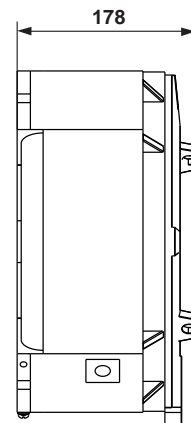
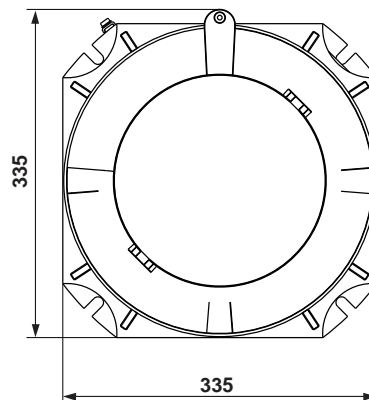
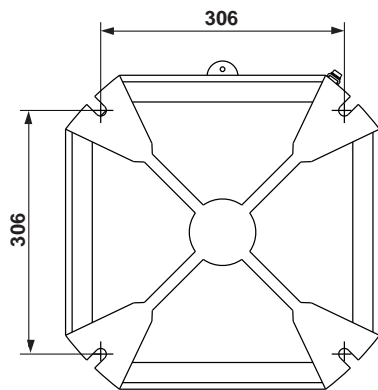
TYPE	EJB30
Application	Flame proof Ex d enclosure
Protection	Ex d IIC T6/T5/T4 Gb, Ex t IIIC T85°C /T100°C/T135°C Db
Marking(ATEX)	⊕ II 2 G D
Ingress Protection to IEC 60259	IP 66
Temperature Class/Power dissipation	T6/T5/T4 (see table 1)
Certificate No.	TÜV 11 ATEX 7151X, IECEx TUR 11.0017X
Standards	IEC 60079-0 , IEC 60079-1 , IEC 61241-1 , IEC-60529
Material	Copper free Aluminum
Finish	As Aluminum or Electrostatic paint to suit customer Application
Ambient temperature	-30°C to +55°C , -20°C to +40°C
Lid Fixing	Threaded Type
Earthing	M5 External / M8 internal earth stud
Enclosure Mounting	4 slotted fixing holes for (M8) screws

Table 1- Maximum Permitted dissipation power

Type of Enclosure	Tamb (-20°C to + 40°C)			Tamb (-30°C to + 55°C)			Max. Rated Current	Max. Rated Voltage
	T4, T135°C	T5, T105°C	T6, T85°C	T4, T135°C	T5, T105°C	T6, T85°C		
EJB 30	412W	238W	152W	326W	152W	79W	250A	690V

Table 2- Maximum number of entries per side
Other thread forms/ combination available on request

							Dimensions (mm)			
							LENGTH	WIDTH	HEIGHT	
Type	M20 / M16	M25	M32	M40	M50	M63	EXTERNAL DIM	335	335	178
EJB 30	8	6	3	2	2	1	INTERNAL DIM	306	306	125.5
							Fixing Brackets : 260x260			



All information may be revised or changed by SHOMAL at anytime without prior notice or explanation.