



FLB Fluorescent Series

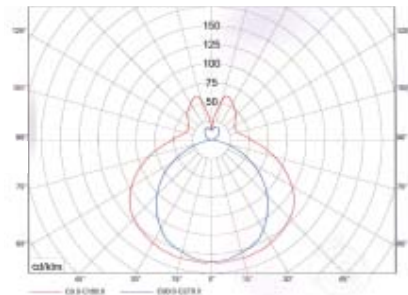
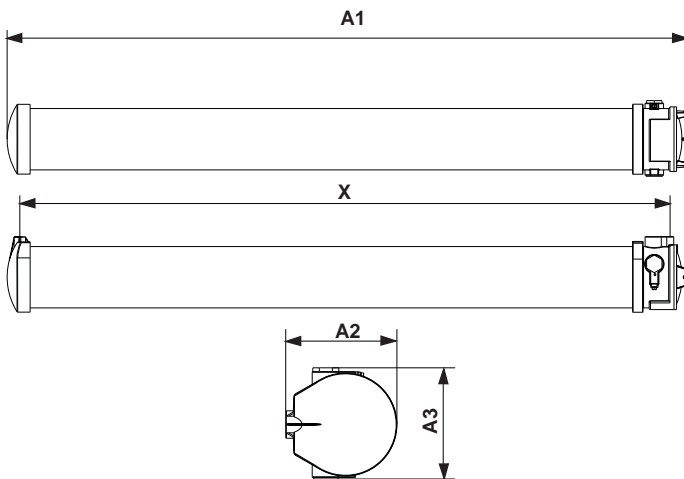
FLB 220-240 Electromagnetic Ballast



Zone 1,2,21,22

TECHNICAL DATA	
TYPE	FLB Fluorescent Series
Marking to 94/9/EC	Ⓔ II 2 G D
Type of protection	Ex d IIC T6 Gb, Ex t IIIC tb T 80°C Db
Certificate No.	ECM 16 ATEX-B 281 X
Enclosure Material	Copper free aluminum
Transparent Cover	Borosilicate - glass
Rated Voltage	220-230 VAC (Other voltages are available on request)
Frequency	50/60 Hz
Circuit	Electromagnetic Ballast
Power Factor	>0.90
Degree of protection to IEC 60529	IP66
Insulation class	I
Permissible ambient temperature	-30°C to +55°C
Entries	Direct entry : 2 x 3/4 " NPT (ISO 7/1) 1x Ex d-blanking plug 3/4 " Other thread forms available on request
Earthing	External and internal earth connections
Connecting Terminals	L1,N and PE: 2x 2.5 mm ² / PE ext.2 x 6 mm ²
Lamps	T8 Bi-Pin Fluorescent Tubes
Lamp Cap	G 13 for Bi pin lamps according to IEC 60081
Ordering Details:	<ul style="list-style-type: none"> • Stainless steel/ Galvanized steel/ White painted sheet steel reflector • Stainless steel/ Galvanized steel/ White painted sheet steel guard lamp • Cable Gland • Installation kit for surface, pole, ceiling and suspension mounting • Cable through wiring system

Type	Lamp	Rated current	Weight approx.	code size	A1	X	A2	A3
FLB 220E	2 x 18/20 W	0.21 A	5.2 kg	FLB 240E	1330	1270	148	141
FLB 240E	2 x 36/40 W	0.43 A	8.3 kg	FLB 220E	736	579	148	141



All information may be revised or changed by SHOMAL at anytime without prior notice or explanation.