



FLBA-LIOL

AIRCRAFT WARNING LIGHT
Low intensity

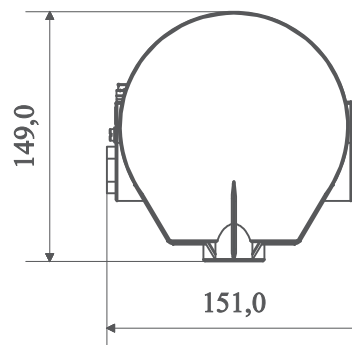
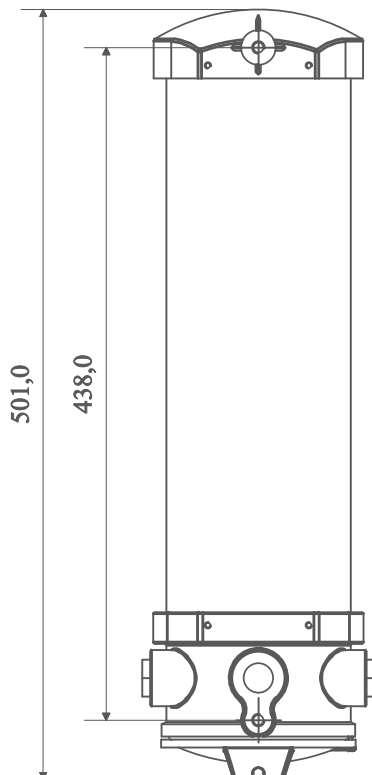


Zone 1,2,21,22

TECHNICAL DATA

Type	FLBA-LIOL Aircraft warning light (Low Intensity)
Marking	Ex II 2 G D
Type of protection	Ex d II C T6
Enclosure material	Aluminum alloy / Copper free aluminum as an option
Transparent cover	Borosilicate - Glass
Degree of protection to EN 60529	IP 66
Permissible ambient temperature	-30°C to +55°C / -20°C to +40°C
Rated voltage	180~260 VAC-12/24/48-VAC/DC
Frequency	50/60 Hz
Luminous intensity	Steady 100/150/200 cd (Flashing or request)
Color	■ Red
Input power	<10 W
Beam radiation	360°
Entries	Direct entry : 2 *3/4" iso 7/1 & 1 x Ex d-blanking plug 3/4" other thread forms available on request
Construction	Single(Not Reserve)

*This product is in accordance to annex 14 of IKAO document



All information may be revised or changed by SHOMAL at anytime without prior notice or explanation.