

FLBA-2xMIOL

AIRCRAFT WARNING LIGHT
Medium intensity



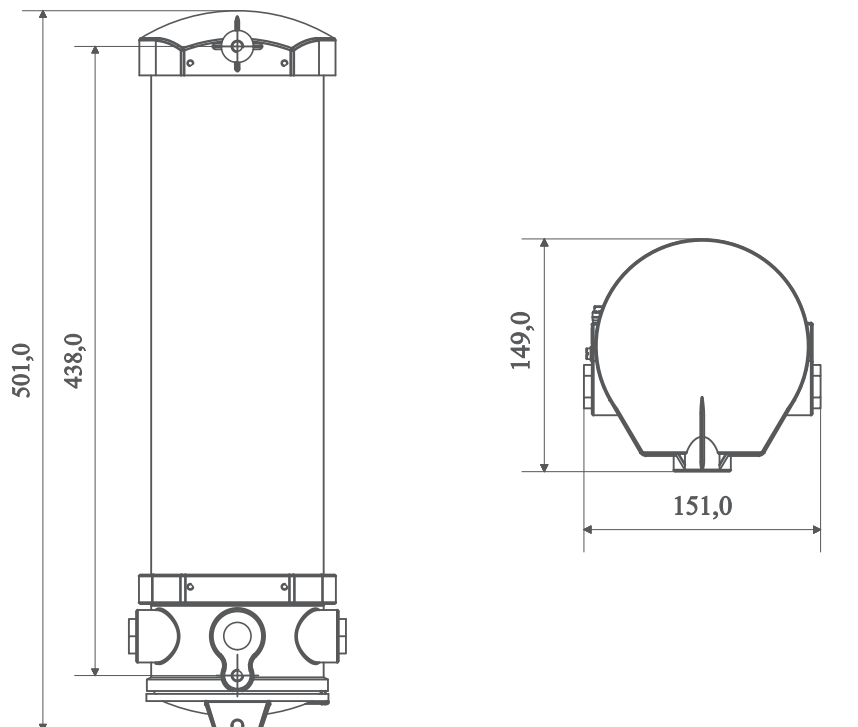
Zone 1,2,21,22

TECHNICAL DATA

Type	FLBA-2xMIOL Aircraft warning light (Medium Intensity)
Marking	Ex II 2 G D
Type of protection	Ex d II C T6
Enclosure material	Aluminum alloy / Copper free aluminum as an option
Transparent cover	Borosilicate - Glass
Degree of protection to EN 60529	IP 66
Permissible ambient temperature	-30°C to +55°C / -20°C to +40°C
Rated voltage	180~260 VAC-12/24/48V-AC/DC
Frequency	50/60 Hz
Luminous intensity	Flashing 1000/2000 cd 40~60/min
Color	■ Red
Input power	<20 W
Beam radiation	360°
Entries	Direct entry : 2 *3/4" iso 7/1 & 1 x EX d-blanking plug 3/4" other thread forms available on request
Construction	Twin(500cd Main+500cd Reserve)** Double(1000cd Main+1000cd Reserve)**

*This product is in accordance to annex of ICAO document

** In order to use the integrated twin facility, the aircraft warning control box shall be used-see page



All information may be revised or changed by SHOMAL at anytime without prior notice or explanation.