

# FLBA-2xLIOL

## AIRCRAFT WARNING LIGHT

### Low intensity



Zone 1,2,21,22

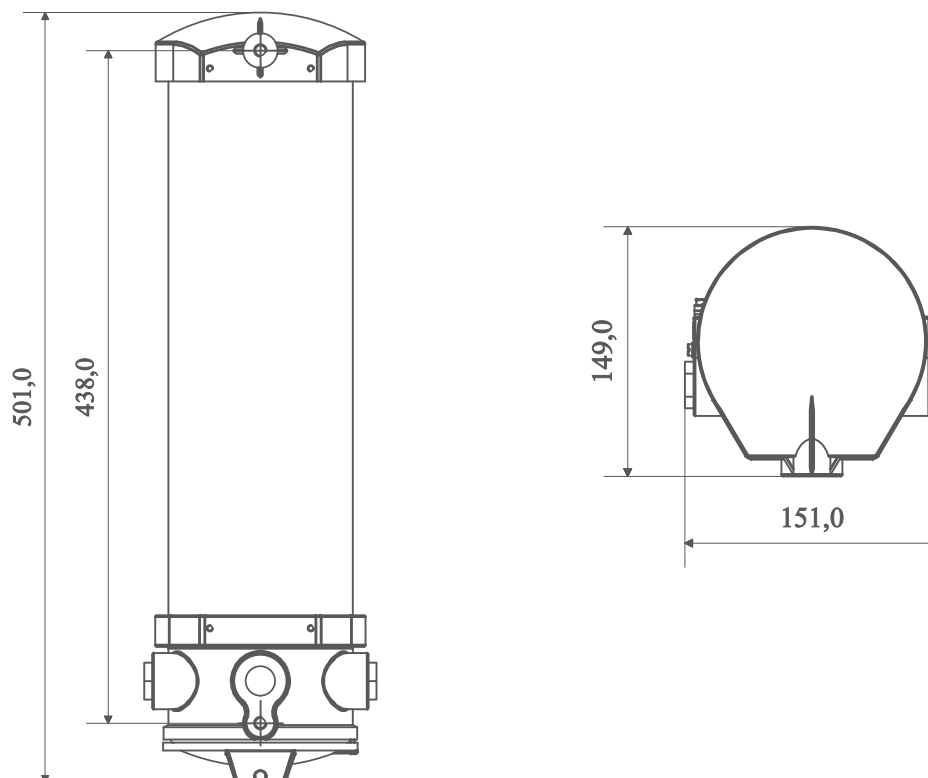


### TECHNICAL DATA

Type	FLBA-2xLIOL Aircraft warning light (Low Intensity)
Marking	Ex II 2 G D
Type of protection	Ex d II C T6
Enclosure material	Aluminum alloy / Copper free aluminum as an option
Transparent cover	Borosilicate - Glass
Degree of protection to EN 60529	IP 66
Permissible ambient temperature	-30°C to +55°C / -20°C to +40°C
Rated voltage	180~260 VAC-12/24/48V-AC/DC
Frequency	50/60 Hz
Luminous intensity	Steady 32/50 cd (Flashing on request)
Color	■ Red
Input power	<10 W
Beam radiation	360°
Entries	Direct entry : 2 *3/4" iso 7/1 & 1 x Ex d-blanking plug 3/4" other thread forms available on request
Construction	Twin(Main+Reserve)**

\*This product is in accordance to annex 14 of ICAO document

\*\* In order to use the integrated twin facility, the aircraft warning control box shall be used-see page



All information may be revised or changed by SHOMAL at anytime without prior notice or explanation.



# FLBA-2xLIOL

## AIRCRAFT WARNING LIGHT

Low intensity



Zone 1,2,21,22

HORIZONTAL [°] VERTICAL [°]	+5	+4	+3	+2	+1	0	-1	-2	-3	-4	-5
0	235.2	245.5	253.3	257.5	258.9	217.6	254.3	245.9	235.7	223.2	208.3
20	228.3	240.8	250.1	258.4	264.5	218.1	263.1	258.0	250.6	237.1	219.5
40	237.1	248.7	258.0	264.9	270.0	266.8	270.5	266.8	259.4	250.1	239.4
60	268.7	283.5	297.9	310.0	319.2	231.1	331.8	330.8	325.7	317.4	306.2
80	192.6	204.2	213.9	222.7	227.8	261.7	228.8	225.5	219.0	206.9	195.3
100	97.0	104.4	109.5	112.3	113.7	224.6	114.6	113.2	110.4	107.2	103.0
120	210.2	219.9	227.4	233.4	239.0	148.9	243.1	239.9	231.5	221.3	210.7
140	183.7	193.5	201.8	208.3	212.5	144.8	215.8	241.4	210.7	204.2	195.3
160	172.6	183.3	193.5	201.8	210.7	328.5	221.3	223.2	221.8	218.1	211.1
180	178.2	194.0	208.3	215.8	216.6	275.2	216.2	214.8	211.6	206.0	200.0
200	216.2	231.5	243.1	254.3	262.6	266.3	265.4	261.7	255.7	246.8	234.8
220	188.4	205.6	216.2	223.6	228.8	259.4	231.5	228.8	222.7	214.8	204.6
240	208.8	226.4	238.5	249.2	257.5	265.4	262.6	260.3	253.8	244.5	233.9
260	185.6	200.9	213.9	221.3	226.4	271.0	224.6	220.4	215.3	206.9	195.3
280	122.5	129.5	137.8	142.9	147.1	327.1	148.0	147.6	144.8	141.1	134.1
300	142.9	145.7	147.6	147.6	146.2	230.1	142.9	138.1	132.7	124.8	116.5
320	286.8	301.1	312.7	321.6	327.6	114.6	322.9	310.4	294.2	274.2	252.0
340	257.5	268.2	274.2	277.9	277.9	242.2	268.7	258.9	245.9	231.5	216.2
359	240.8	252.0	259.8	265.4	268.2	215.3	258.9	250.1	238.5	226.0	209.3

Table1. Luminous intensity measurement result [candela]