

L1



Ex Lighting Fixture

FLD

Zone 1,2,21,22



TECHNICAL DATA

Type	Flood light , FLD120, FLD200
Marking accd. to 2014/34/EU	Ⓔ II 2 GD Ex db op is eb IIC Gb T6/T5, Ex tb IIIC Db T80°C/T95 °C Db IP66
Marking accd. IECEx	Ex db eb op is IIC Gb T6/T5, Ex tb IIIC Db T80°C/T95 °C Db IP66
Permissible ambient temperature	-30 °C up to +55 °C
Rated voltage	220 V - 240 V AC
Rated current	see additional luminaire data table
Frequency	50 - 60 Hz
Fixture lifetime	60.000 h at luminaire = + 55 °C / 120.000 h at +25 °C
Power consumption	max. 220 W (see table luminaire data)
Lamp	150 lm/w, SMD LED Board
Light color	5000 K cool white (CRI 70) see additional luminari data table
Circuit	Electronic driver
Power factor	>0.95
EMC Protection	YES
THD (total harmonic distortion)	<10%
Over-voltage protection	2.5kV
Driver performances	Over-Voltage protection: YES Over-Current protection: YES Short-Circuit protection: YES
Dimensions (L x W x H)	Ø 435 x 410 mm
Connecting terminals	Direct connection to terminal L, N,Pe, 4mm ² , suitable for loop-in/loop-out
Enclosure colour	Grey
Enclosure material	Copper free aluminium 2 x M20 (M25 optional) x 1.5 thread,
Weight	44 kg
Degree of protection	accd. to EN 60529 IP66
Type of mounting	Ceiling-wall mounting ,adjustable mounting bracket on request
Protective cover / protective bowl	Soda lime -Toughened glass- 4J impact and thermal shock resistant

Ex Lighting Fixture FLD



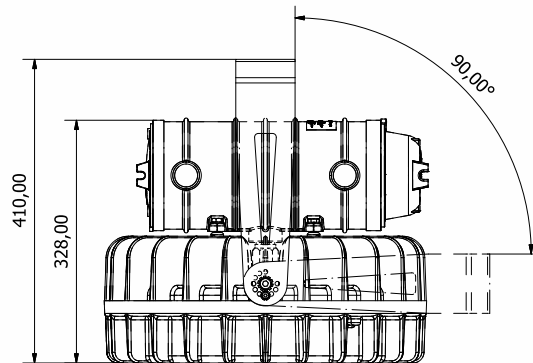
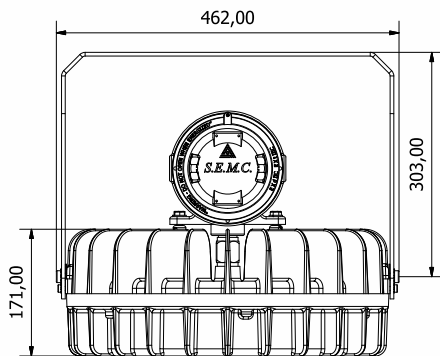
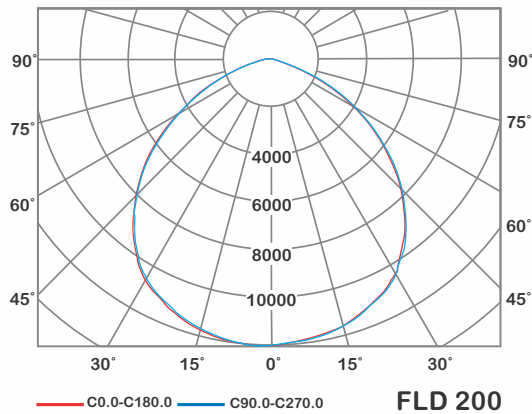
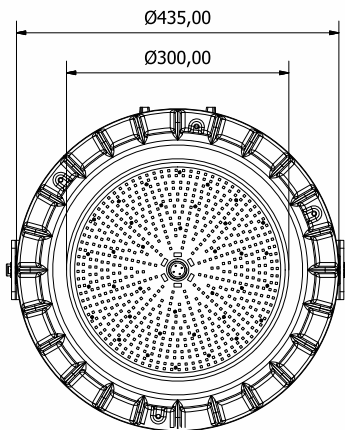
Zone 1,2,21,22



Luminaire data table

Additional luminaire data	Rated luminous flux of the luminaire (± 10 %)	Rated current	Wattage	Permissible ambient	Temperature class Gas	Temperature class Dust
FLD 120	18000 lm	0.54~0.6	125 W	-30°C up to +55°C	T6	T80°C
FLD 200	30000 lm	0.95~1.06	220W	-30°C up to +55°C	T5	T95°C

*Other power on request



All information may be revised or changed by SHOMAL at anytime without prior notice or explanation.