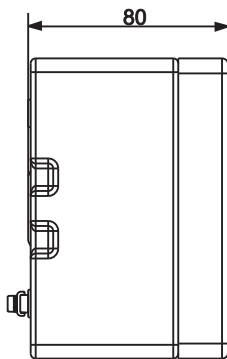
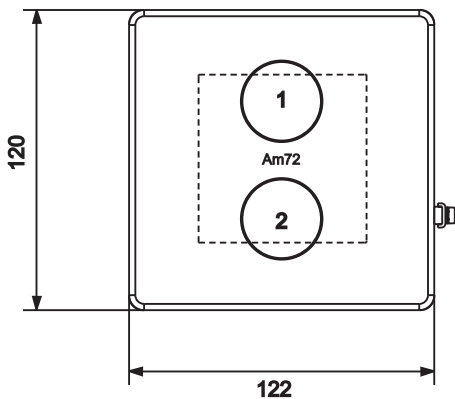
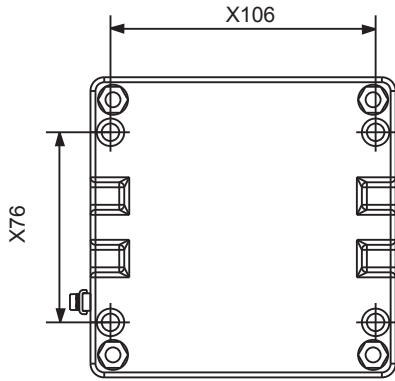


D1



LCS120

Local Control Station
Explosion Protected
Zone 1,2



SPECIFICATION

| |
|---|
| TYPE : LCS120 |
| Material Body & cover : Aluminum |
| Marking to 14/34/EU : Ex II 2 G D |
| Application: Ex d e i b mb IIC T6 Gb - Ex tb IIIC T85°C Db |
| Ambient Temperature : -30°C to +55°C |
| Rated Voltage: Up to 690v |
| Rated current : Max 16A |
| Ingress protection : IP 66 / IP 65 with measuring instrument |
| Earthing : Internal/External earth screw (M6/M5) |
| EU type examination certificate: TÜV 16 ATEX 7844X - IECEx TUR 16.0020X |

DIMENSIONS(mm)

| | Length | Width | Height |
|--------------------------|--------|-------|--------|
| Internal | 112 | 110 | 62 |
| External | 122 | 120 | 80 |
| Mounting Location | X76 | X106 | - |

Possible components*

| |
|---|
| Push button (2-pole or 4-pole) |
| Double pushbutton (2-pole or 4-pole) |
| Key-operated pushbutton (2-pole or 4-pole) |
| Key switch (2-pole or 4-pole) |
| Mushroom-head pushbutton (2-pole or 4-pole) |
| Control switch (2-pole or 4-pole) |
| Signal lamp |
| Potentiometer |
| Measuring instrument AM72 |
| Measuring instrument AM45 |

*Allowable Certified Built in components:

- 1) EATON
- 2) BARTEC

**Maximum number of built-in components 2

***Each AM72 equals 2 built-in components

All information may be revised or changed by SHOMAL at anytime without prior notice or explanation.