

LCS 220

Local Control Station
Explosion Proof
Zone 1,2



SPECIFICATION

TYPE : LCS220

Material Body & cover : Aluminum

Marking to 2014/34/EU : Ex II 2 G D

Application:

Ex d e i b mb IIC T6 Gb - Ex tb IIIC T85°C Db

Ambient Temperature : -30°C to +55°C

Rated Voltage: Up to 690v

Rated current : Max. 16A

Ingress protection :

IP 66 / IP 65 with measuring instrument

Earthing : Internal/External earth screw (M6/M5)

EU type examination certificate:

TÜV 16 ATEX 7844X - IECEx TUR 16.0020X

Possible components*

Push button (2-pole or 4-pole)

Double pushbutton (2-pole or 4-pole)

Key-operated pushbutton (2-pole or 4-pole)

Key switch (2-pole or 4-pole)

Mushroom-head pushbutton (2-pole or 4-pole)

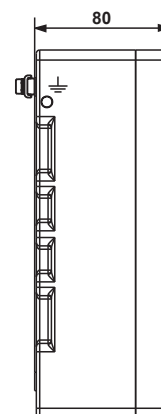
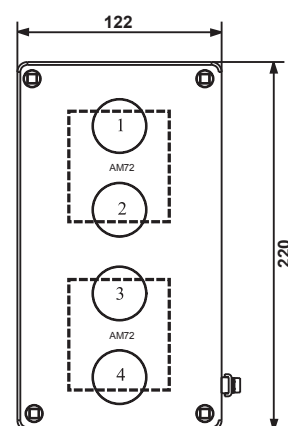
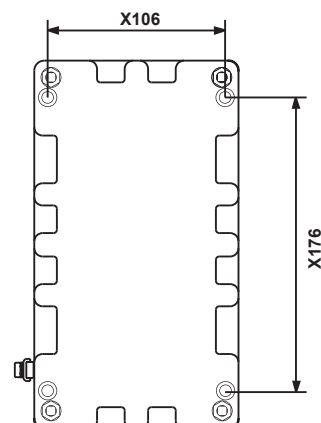
Control switch (2-pole or 4-pole)

Signal lamp

Potentiometer

Measuring instrument AM72

Measuring instrument AM45



DIMENSIONS(mm)

	Length	Width	Height
Internal	210	112	62
External	220	122	80
Mounting Location	X176	X106	-

*Allowable Certified Built in components:

1) EATON

2) BARTEC

**Maximum number of built-in components 2

***Each AM72 equals 2 built-in components