



JUNCTION BOX

LJB 1

Explosion protected Terminals & Switchgear Box



Zone 1,2,21,22

SPECIFICATION	
TYPE	LJB 1
Marking acc to 94/9/EC directive	Ⓔ II 2 GD
EC type examination certificate	TÜV 11 ATEX 7152 X
Marking acc.to IEC	Exd IIC T6 Gb,Ex t IIIC T85°C Db
IEC certificate of conformity	IECEX TUR 11.0019X
Ingress protection to IEC 60529	IP 66 / 67
Permissible ambient temperature	-20°C to +40°C and -30°C to +55°C,(See Table1)
Material	Copper free Aluminum

TABLE 1 Maximum Permitted dissipation power

Tamb (-20°C to +40°C)			Tamb (-30°C to +55°C)			Type of Enclosure
T4 T 135°C	T5 T 100°C	T6 T 85°C	T4 T 135°C	T5 T 100°C	T6 T 85°C	
47 W	26 W	18 W	39 W	18W	10W	LJB 1

TABLE 2 TYPE CONFIGURATION

TYPE	STYLE	Entry From Side	Volume < 2 L
LJB1 T1		3 X 1/2"(M20)	
LJB1 T2		3 X 3/4"(M25)	
LJB1 X1		4 X 1/2"(M20)	
LJB1 X2		4 X 3/4"(M25)	

* Other thread forms are available on request.ie.Metric,PG,NPT...

**Other configurations are available on request.Max.number of entries=4

JUNCTION BOX

LJB 1

Explosion protected Terminals & Switchgear Box



Zone 1,2,21,22



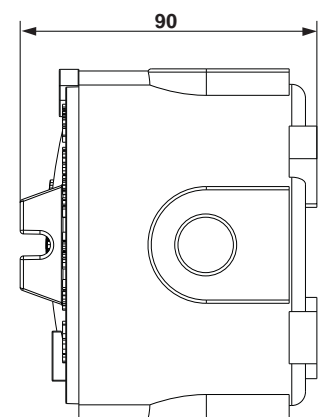
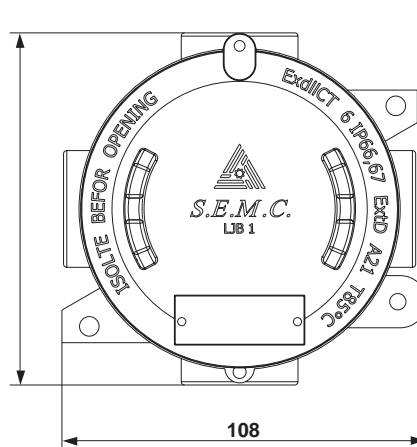
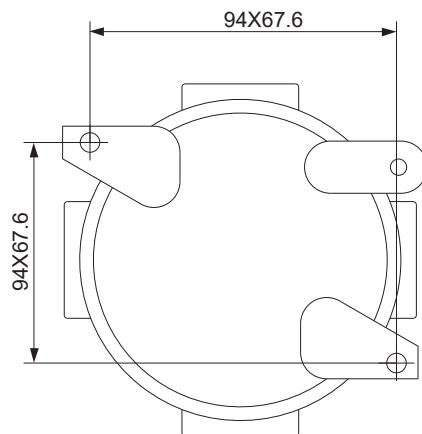
Table 3 :

APPLICATIONS					
Max. Number of terminals	Size	V _{Max}	I _{Max}	Max rail Length	Type of enclosure
10	2.5 mm ²	<750 V	<20A	45 mm	LJB 1
7	4 mm ²		< 32A		
4 *	6 mm ²		< 40A		

*pillar or column terminals

DIMENSIONS (mm)			
	LENGTH	WIDTH	HEIGHT
EXTERNAL	108	—	90
INTERNAL	Ø86	—	70

Fixing Brackets : 112° DIAGONAL , 60 VERTICAL



All information may be revised or changed by SHOMAL at anytime without prior notice or explanation.