



JUNCTION BOX

LJB 2



Zone 1,2,21,22

SPECIFICATION	
TYPE	LJB 2
Marking acc to 94/9/EC directive	Ⓔ II 2 GD
EC type examination certificate	TÜV 11 ATEX 7152 X
Marking acc.to IEC	Exd IIC T6 Gb,Ex t IIIC T85°C Db
IEC certificate of conformity	IECEX , TUR 11.0019
Ingress protection to IEC 60529	IP 66 / 67
Permissible ambient temperature	-20°C to +40°C and -30°C to +55°C,(See Table1)
Material	Copper free Aluminum

TABLE 1 Maximum Permitted dissipation power

Tamb (-20°C to +40°C)			Tamb (-30°C to +55°C)			Type of Enclosure
T4 T 135°C	T5 T 100°C	T6 T 85°C	T4 T 135°C	T5 T 100°C	T6 T 85°C	
70 W	41 W	28 W	57 W	28W	15W	LJB 2

TABLE 2 TYPE CONFIGURATION

TYPE	STYLE	Max Entries From Side	Volume < 2 L
LJB2 T1		3 X 1/2"(M20)	
LJB2 T2		3 X 3/4"(M25)	
LJB2 T3		3 X 1 " (M32)	
LJB2 X1		4 X 1/2"(M20)	
LJB2 X2		4 X 3/4"(M25)	
LJB2 X3		4 X 1 " (M32)	

* Other thread forms are available on request.ie.Metric,PG,NPT...

**Other configurations are available on request.Max.number of entries=8

JUNCTION BOX

LJB 2



Zone 1,2,21,22

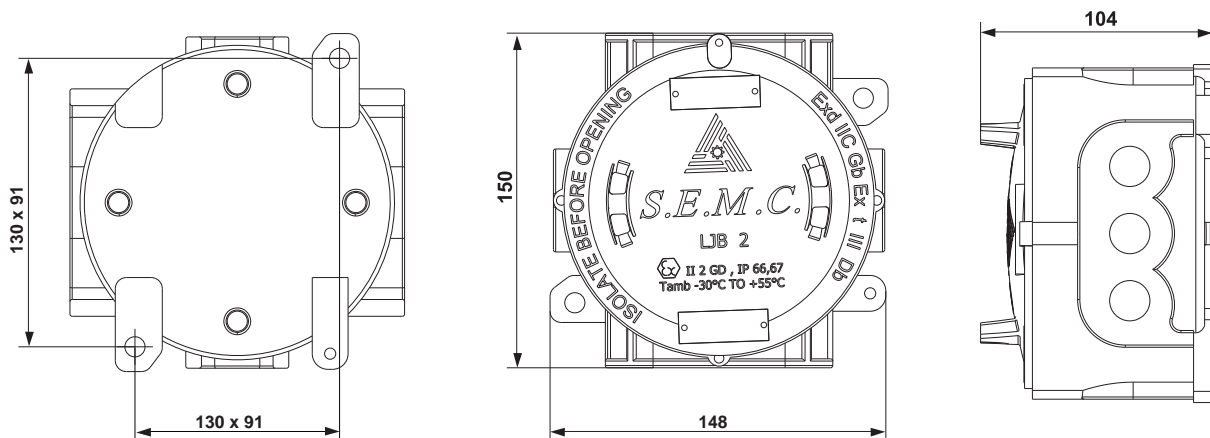


Table 3 :

APPLICATIONS					
Max. Number of terminals	Size	VMax	IMax	Max rail Length	Type of enclosure
20	2.5 mm ²	<750 V	<20A	82 mm	LJB 2
15	4 mm ²		< 32A		
13	6 mm ²		< 45A		
4 *	6 mm ²		< 40A		
10	10 mm ²		< 60A		

*pillar or column terminals

DIMENSIONS (mm)			
	LENGTH	WIDTH	HEIGHT
EXTERNAL	152	150	105
INTERNAL	Ø125.5	-	70
Fixing Brackets : 130 x 91			



All information may be revised or changed by SHOMAL at anytime without prior notice or explanation.