

Pushbutton Mushroom-head pushbutton

Flameproof

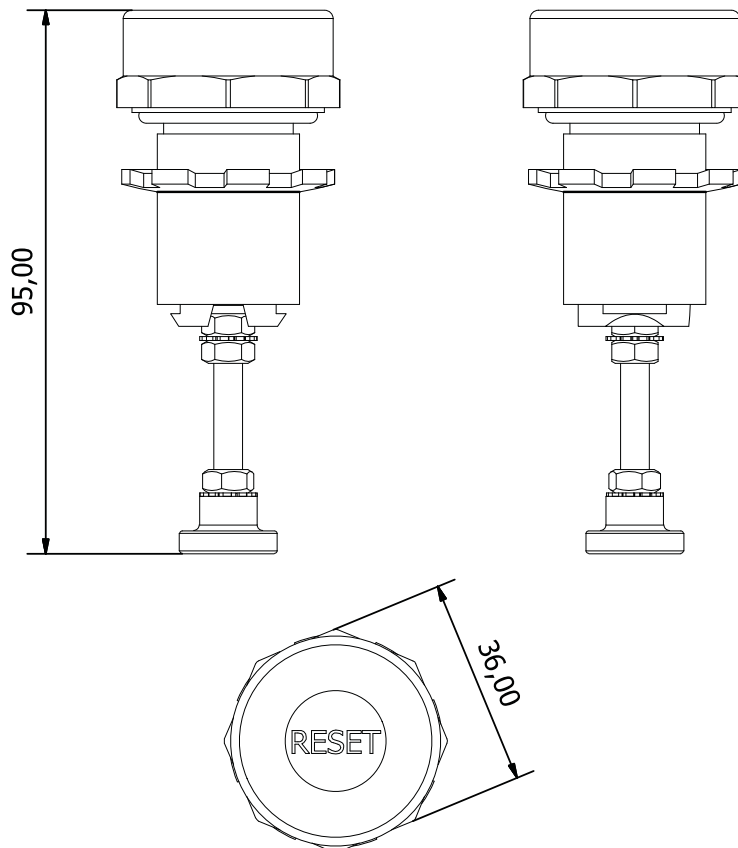


Zone 1,2,21,22



SPECIFICATION

Type	Mushroom-head pushbutton Pushbutton
Application	Flame Proof Ex d
Protection	Ex d IIB Gb Ex t IIIB tb 85°C-100°C and 135°C
Marking (ATEX)	⊕ II 2 G D
Ingress Protection to IEC 60529	Ip65
Temperature class	T6/T5/T4
Certificate No.	n. 0F150609.SEMDD43
Standards	EN 60079-0/ IEC 60079-0/ EN/IEC 60079-1, EN 60079-31/ IEC 60079-31, IEC 60529
Material	Aluminum
Terminal cross section	2*2.5mm ²
Rated Insulation Voltage	500 V
Rated Current	10 A acc. to EN 60947-5-1



All information may be revised or changed by SHOMAL at anytime without prior notice or explanation.