

PHOTOCELL



Zone 1,2,21,22

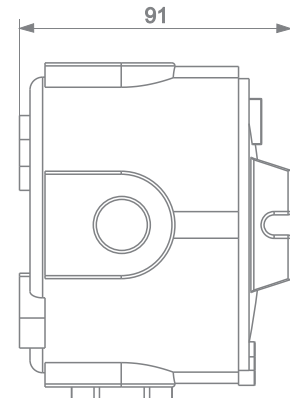
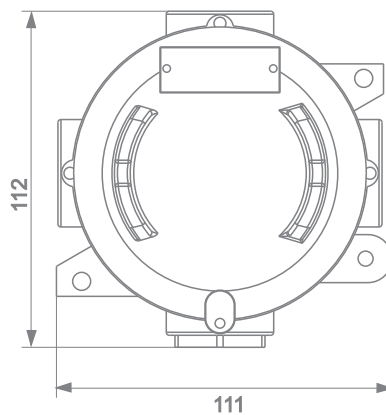
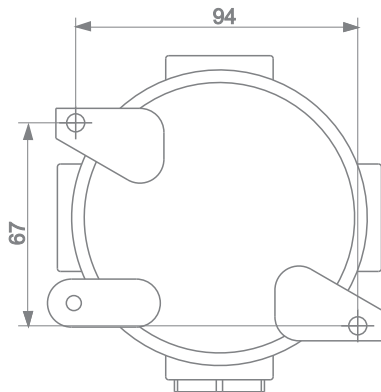


EX PHOTO SWITCH

SENSITIVITY SETTING	ON: 1 ~ 17 LUX OFF: 10 ~ 50LUX
RATED VOLTAGE	AC 190 ~ 240v
FREQUENCY	50 ~ 60 Hz
AMBIENT TEMP	-30°C ~ +55°C
LOAD CURRENT	8A or 16A
FUSE	8 or 16 on request
DELAY	(ON/OFF) 18S ~ 58S

DIMENSIONS(mm)

	LENGTH	WIDTH	HEIGHT
INTERNAL	Ø 86	-	64.5
EXTERNAL	108	112	90
FIXING BRACKETS	94	67.6	-



All information may be revised or changed by SHOMAL at anytime without prior notice or explanation.